

Easy Stock™ Cart

The easiest, safest, most efficient stocking solution in the industry.



CONFIDENTIAL

Restocking, Simplified

Cannon Easy Stock™ Carts will simplify your restocking processes while improving the safety and efficiency of your employees through our ergonomic design, innovative features and high-quality construction.



CONFIDENTIAL



SPECIFICATIONS:

Depth:	58" with ladder down
Width:	24 5/8"
Height:	69"
Shelving:	3
Construction:	Welded, Heavy Duty Steel
Cart Weight:	150 lbs.
Wheels:	Polyurethane
Caster Size:	5" X 1.25"
Caster Type:	2-360° swivel & 2-rigid
Finish:	Heavy Duty Powder Coating
Load Capacity:	400 lbs. (Cart)

INCREASE LABOR EFFICIENCY

- Reduce fatigue with ergonomic driven design
- Excess handling is reduced with triple shelving configuration
- Stocking the top shelf is accessed safely and easily with the built-in anti-slip, locking ladder
- Reduces stockroom clutter
- Product rotation increased

INCREASE SAFETY

- 300 lb. step load
- Steps lock up for movement
- Anti-slip tread surface
- Anti-slip feet ladder feet
- Easy-to-use foot brake
- Top shelf tray prevents items from falling
- Handles act as guardrails when using the steps
- Bumpers

CUSTOMER FRIENDLY

- Easy moving
- Quiet
- Fits aisle spaces easily
- Triple shelving eliminates clutter

CONFIDENTIAL



Steps are easy to move, lock in place, and extend.



Quiet, non-marking wheels. Easy-to-use foot brake.



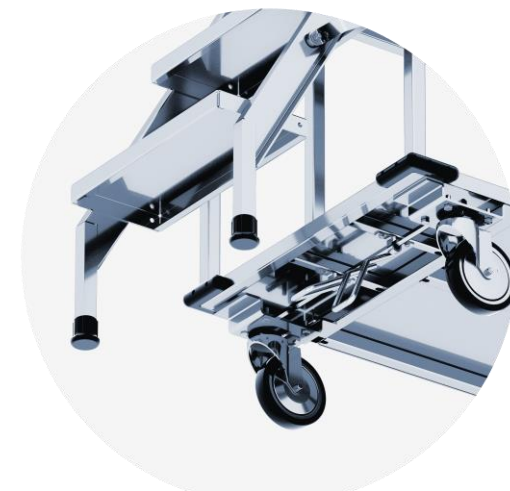
Anti-slip tread surface and rubber ladder feet. 300 lb. step load.



Triple shelving configuration for increased efficiency and shelf capacity.



Handles allow easy maneuvering and safety, open up shelf capacity.



Easy-to-use foot brake to lock cart when in use.

CONFIDENTIAL

Increased Labor Efficiency

- Reduce fatigue with ergonomic driven design
- Excess handling is reduced with triple shelving configuration
- Stocking the top shelf is accessed safely and easily with the built-in anti-slip, locking ladder
- Reduces stockroom clutter
- Product rotation increased

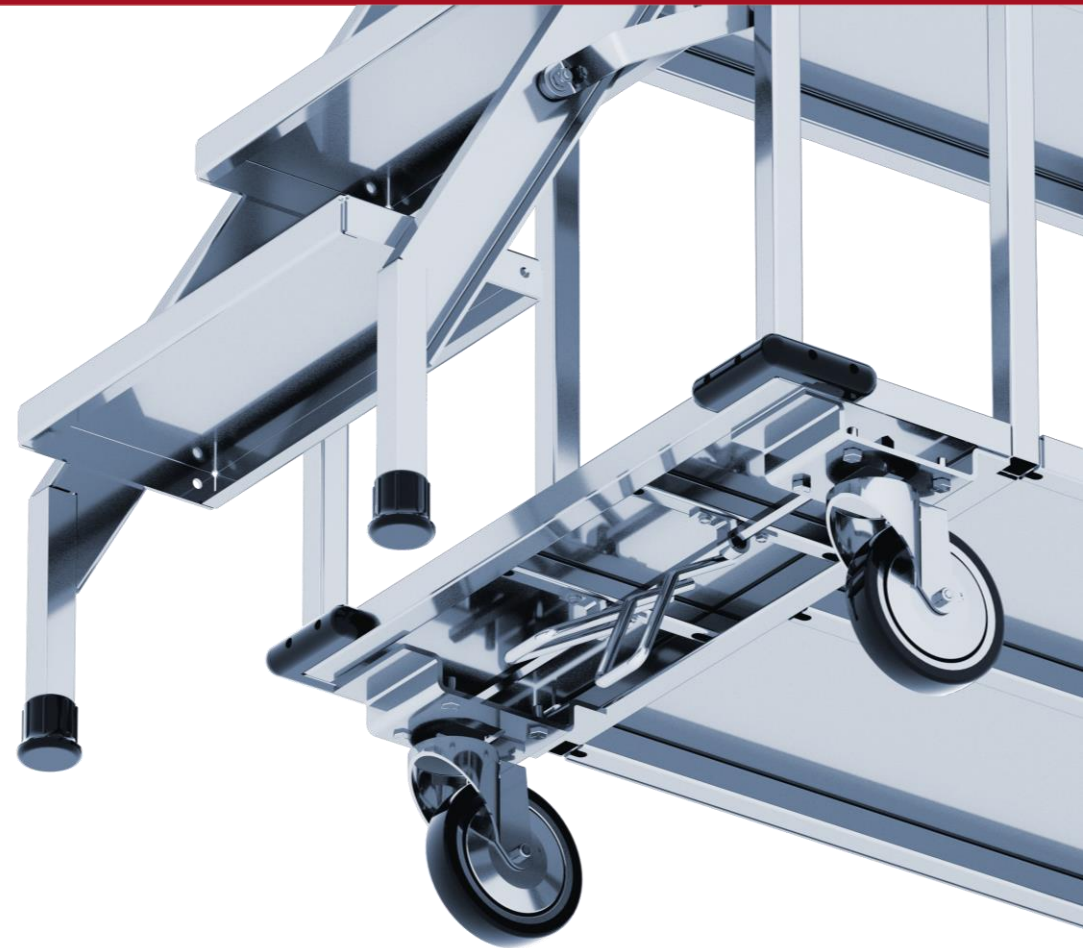
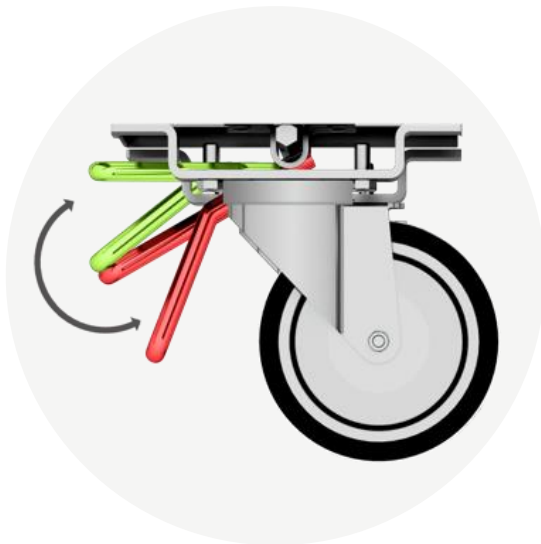


Handles allow easy maneuvering,
open up shelf capacity.

CONFIDENTIAL

Increased Safety

- 300 lb. step load
- Steps lock up for movement
- Anti-slip tread surface
- Anti-slip feet ladder feet
- Easy-to-use foot brake
- Top shelf tray prevents items from falling
- Handles act as guardrails
- Bumpers



Easy-to-use foot brake to lock cart in place.
Slide mounting ladder to access top shelf.

CONFIDENTIAL

Customer Friendly

- Easy moving
- Very quiet
- Fits aisle spaces easily
- Triple shelving eliminates clutter



Reduces space and fits easily into aisle spaces easily.

CONFIDENTIAL